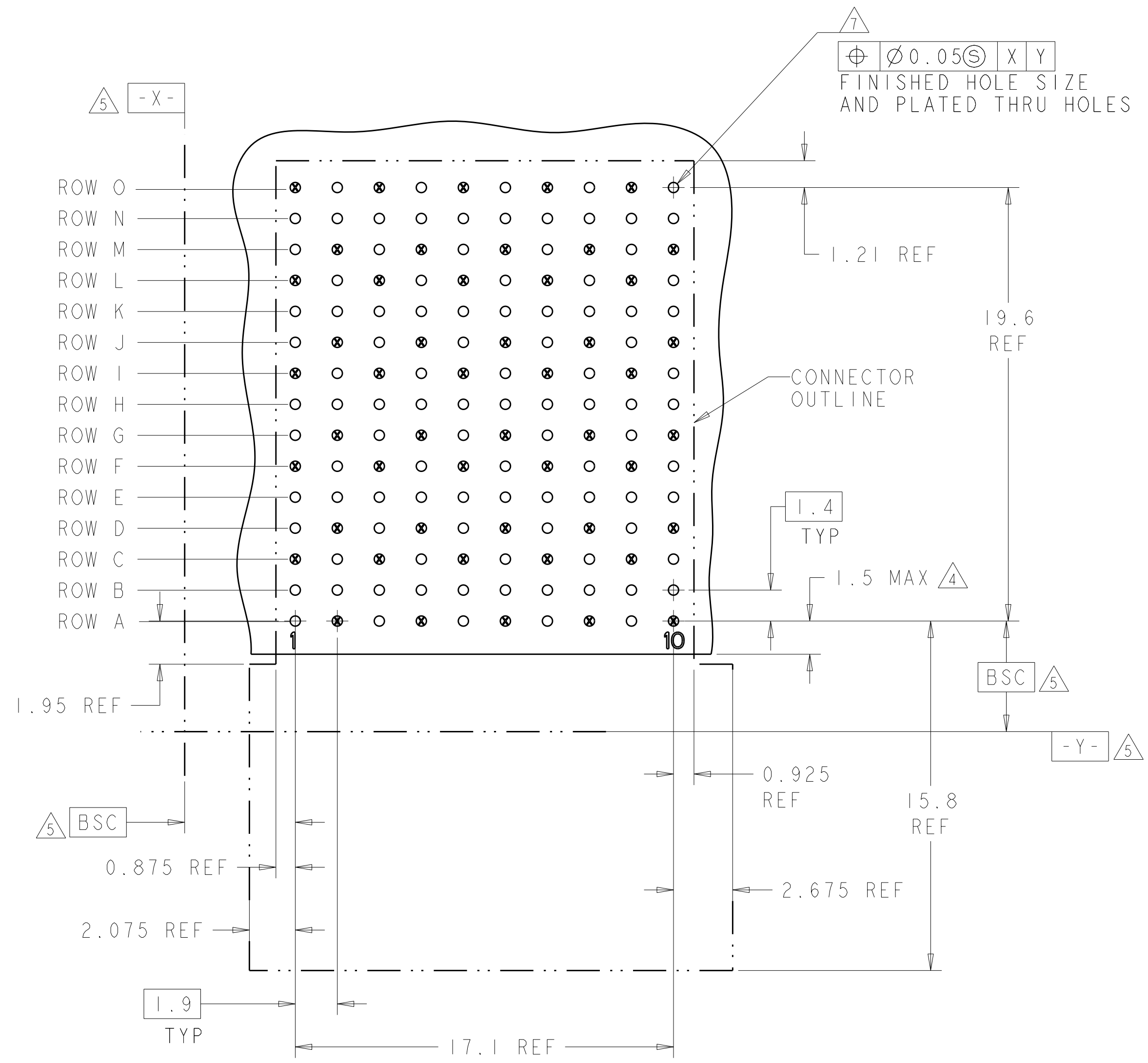
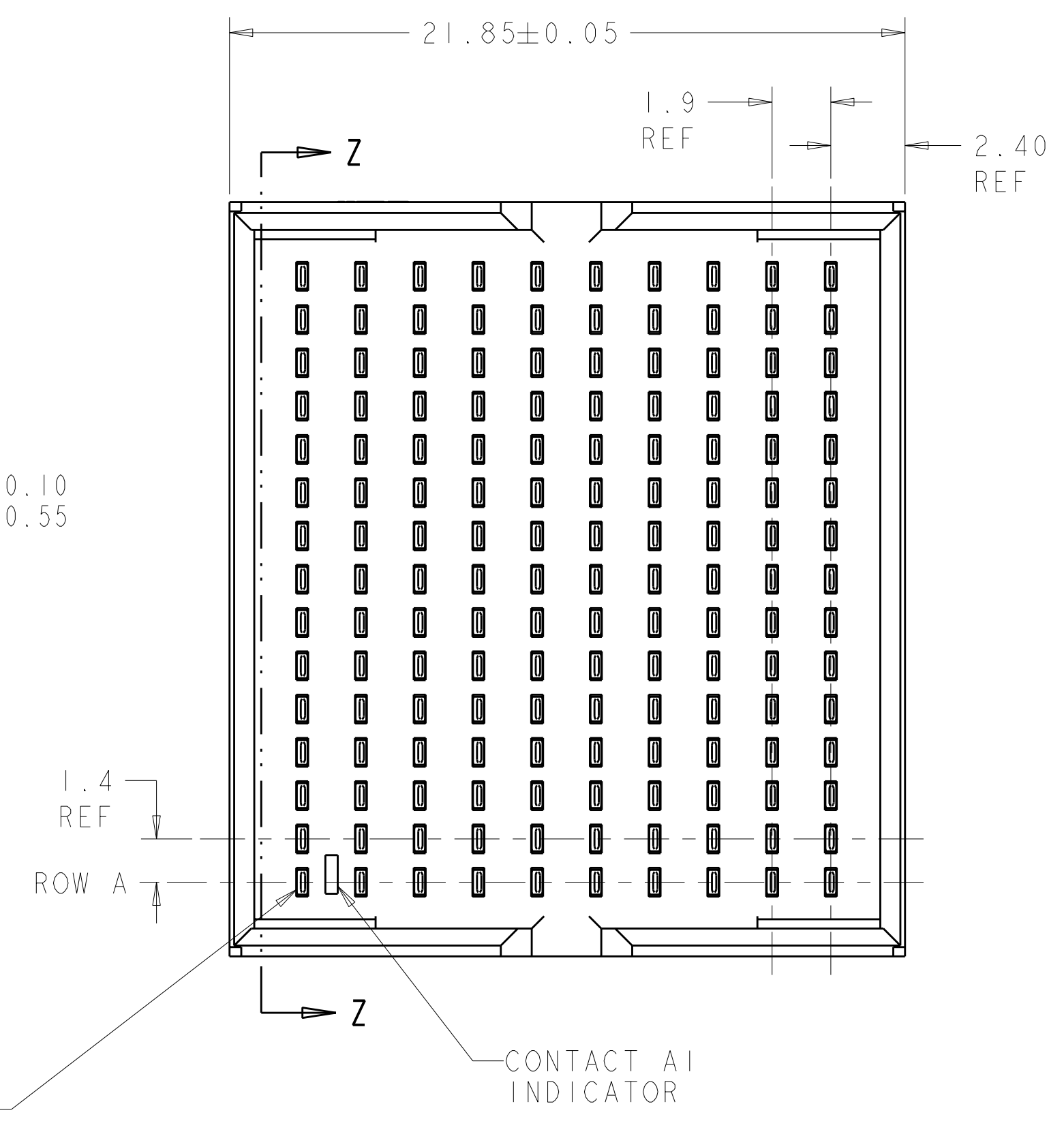
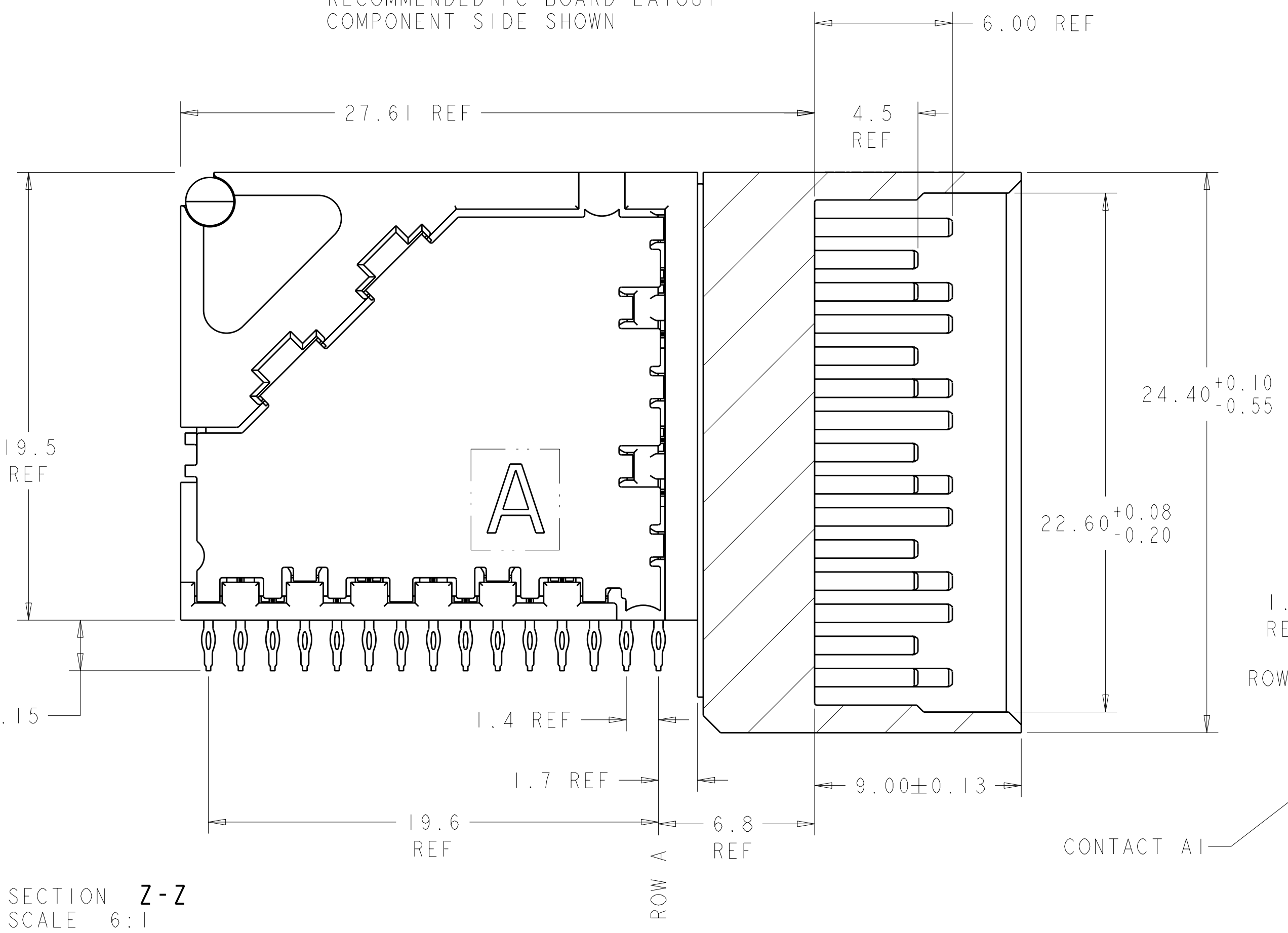
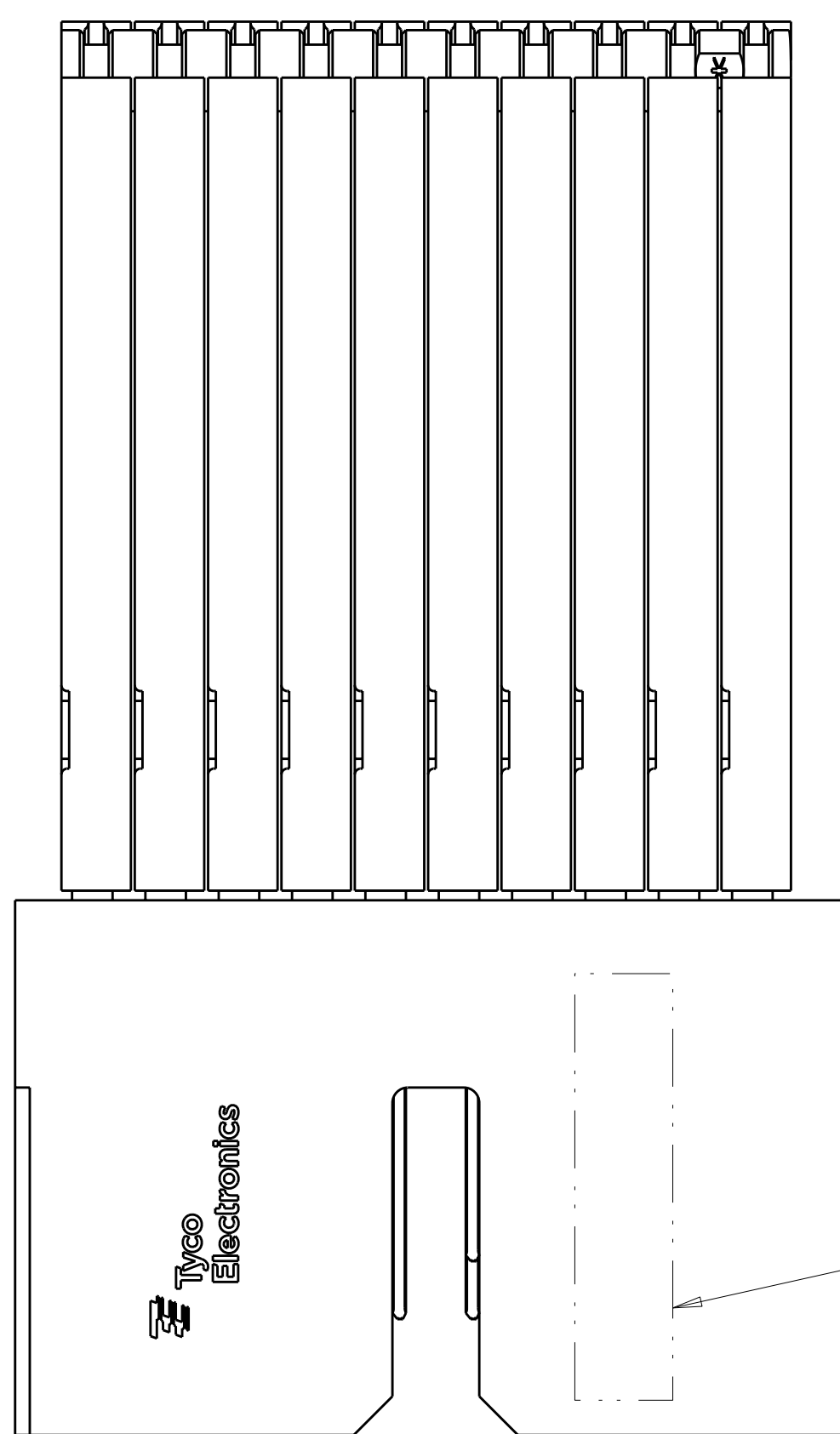


LOC		DIST		REVISIONS			
AD	00	REV	DATE	DESCRIPTION	DATE	DWN	APVD
		A		RELEASED PER ECO-11-020102	18NOV2011	RG	RP



○ = SIGNAL
 ⊗ = GROUND
 RECOMMENDED PC BOARD LAYOUT
 COMPONENT SIDE SHOWN

- 1 MATERIAL:
CONTACT AND SHIELD: PHOS BRONZE
HOUSING AND CHICKLET: LCP, UL 94V-0, COLOR: BLACK
- 2 FINISH:
CONFORMS TO THE REQUIREMENTS OF
TE PRODUCT SPECIFICATION 108-2303-1; BASED
ON TELECORDIA GR-1217-CORE FOR SYSTEM
QUALITY LEVEL III, APPLICATIONS IN
CONTROLLED ENVIRONMENTS (CENTRAL OFFICE).
- 3 CONNECTOR MARKED WITH PART NUMBER, DATE CODE, 85 OHM,
AND STANDARD IN APPROXIMATE AREA SHOWN.
- 4 DIMENSION APPLIES TO CENTERLINE OF THRU HOLE.
- 5 DATUMS AND BASIC DIMENSIONS ESTABLISHED BY CUSTOMER.
- 6 CONTACT AREA LUBRICATED WITH BELLCORE APPROVED LUBRICANT.
TECHNICAL REFERENCE: GR-1217-CORE, ISSUE 1, NOVEMBER 1995.
- 7 REFERENCE APPLICATION SPEC FOR RECOMMENDED PLATED THRU
HOLE DIAMETER AND PLATING THICKNESS.
- 8 ALL GROUNDS IN ODD NUMBERED COLUMNS ARE COMMONED.
ALL GROUNDS IN EVEN NUMBERED COLUMNS, EXCEPT FOR ROW A ARE COMMONED.



SECTION Z-Z
SCALE 6:1

1934822-1
PART NUMBER

<small>THIS DRAWING IS UNPUBLISHED. RELEASED FOR PUBLICATION. BY TYCO ELECTRONICS CORPORATION, ALL RIGHTS RESERVED.</small>		DWN S. J. MAGARO 18FEB2008 CHK C. RITTER 18FEB2008 APVD	Tyco Electronics Harrisburg, PA 17105-3608
DIMENSIONS: mm 9 PLC ± 1 PLC ± 3 PLC ± 4 PLC ± ANGLES ±		PRODUCT SPEC 108-2303-1 APPLICATION SPEC 114-13243 WEIGHT CUSTOMER DRAWING	NAME RIGHT ANGLE HEADER ASSEMBLY DOUBLE WALL, 5 PAIR, 10 COLUMN, Z-PACK TinMan 85 OHM SIZE CAGE CODE DRAWING NO. RESTRICTED TO A1100779C=1934822 SCALE 6:1 SHEET 1 OF 1 REV A